



## Equipment description

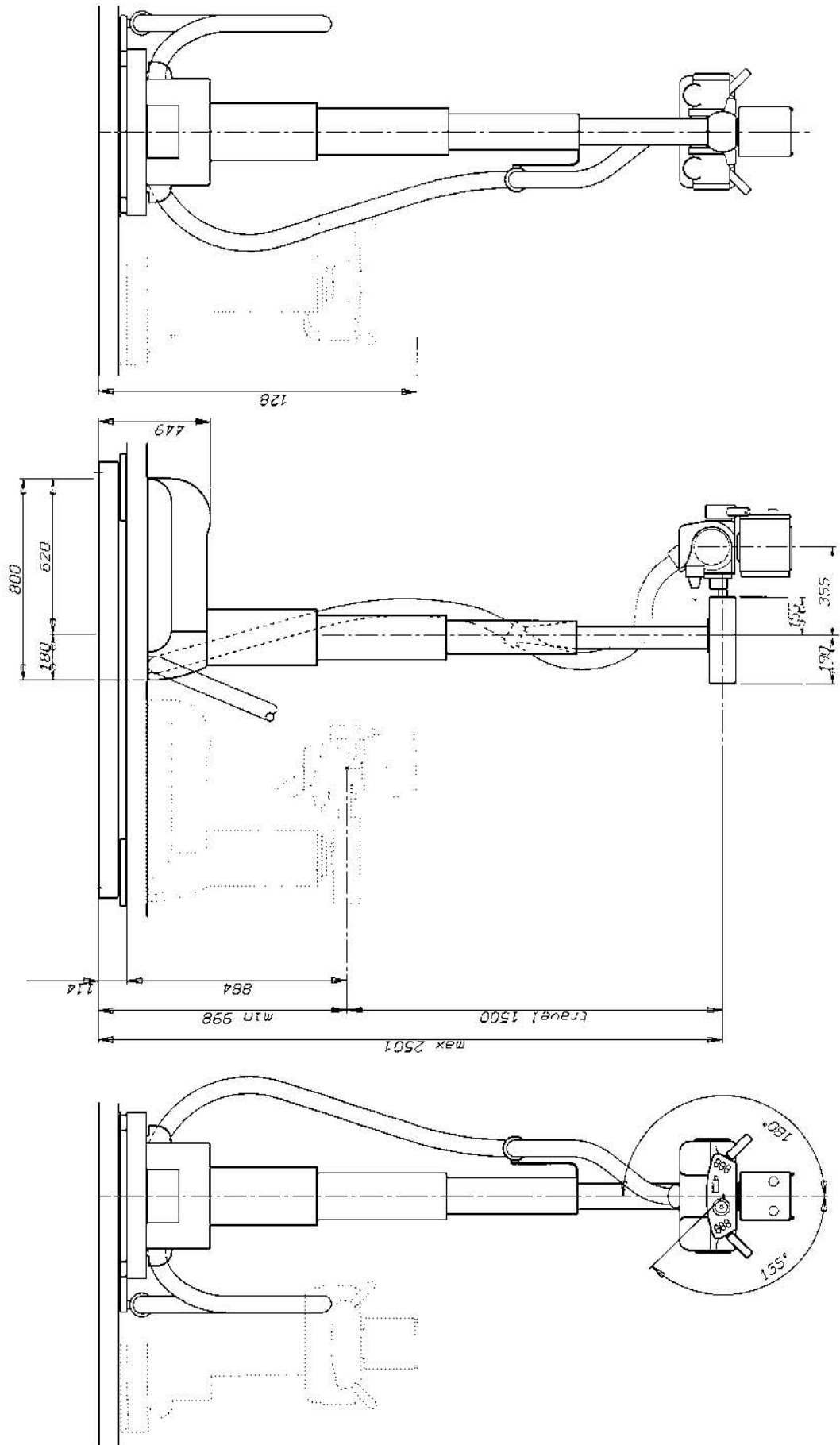
Upgraded ceiling-mounted tube stand featuring a more elegant and modern design and improved functional features and reliability. Versatile equipment suitable to any installation requirement. Different models to match all utilization needs. The model here represented is manually controlled; automatic alignment with the vertical travel of the digital (or traditional) detectors is also available as well as automatic control of the collimation system.

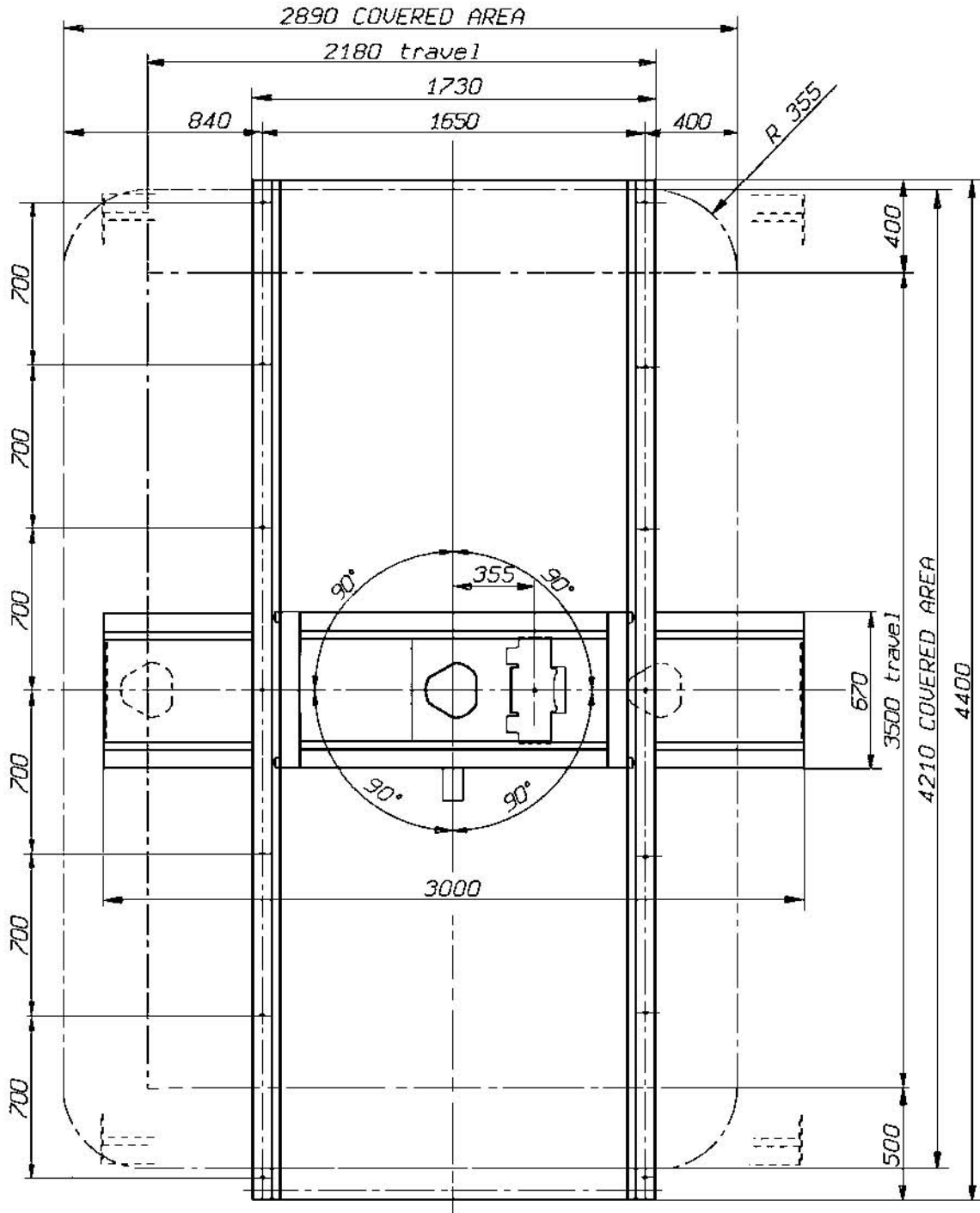
## Technical Features

<b>Longitudinal rails</b>	
• Length	440 cm
<b>Transversal bridge</b>	
• Rail length	300 cm
• Transversal bridge travel on the longitudinal rails	350 cm
• Movement / braking	manual / electromagnetic
• Standard mechanical position indicators	1
<b>Carriage</b>	
• Travel on transversal bridge	218 cm
• Movement / braking	manual / electromagnetic
<b>Telescopic stand</b>	
• Elements composing the telescope stand	4 in aluminium extruded profile
• Vertical travel	150 cm
• Movement	manual
• Balancing	by springs and counterweights
• Braking	electrical with permanent magnet
• Motor-controlled movement speed (optional)	7 cm/s
<b>Tube arm support</b>	
• Rotation angle about the stand vertical axis	$\pm 180^\circ$
• Angle indicators	every $90^\circ$
• Rotation angle about the horizontal axis	$\pm 180^\circ$
• Angle indicators	every $90^\circ$
• Rotation braking	electrical with permanent magnet
<b>Control box</b>	
• Hand grips to move the x-ray assembly	Covered with synthetyc rubber
• Brakes release push buttons	in ergonomic position
• Indicator of focus -film distance and incidence angle	LCD display
<b>Power supply</b>	
• Voltage / frequency	230 (220/240) Vac 50/60Hz
• Max. absorbed power	300 VA (included 100 W diaphragm lamp)
<b>Colours</b>	
• Painted parts	RAL 9002
• Adhesive membranes	Gray
<b>Weights</b>	
• Rails / transversal frame	165 kg
• Unit classification	150 kg
<b>Unit classification</b> (according to EN 60 601)	
• Class/ type	class I type B
• Installation mode	permanently connected
• Operation	continuous with intermittent load
<b>Standard compliance</b>	
• Safety	EN 60 601
• Electromagnetic compatibility	89/336 European Directive
<b>Transport and stocking up environmental conditions</b>	
• Temperature	- 15 °C ÷ 60 °C
• Relative humidity (without condensation)	10 % ÷ 90 %
• Atmospheric pressure	500 hPa ÷ 1060 hPa
<b>Operative environment</b>	
• Temperature	10 °C ÷ 40 °C
• Relative humidity (without condensation)	30 % ÷ 75 %
• Atmospheric pressure	700 hPa ÷ 1060 hPa

## Options and accessories

Arm with push-button at tube opposite tube	Longitudinal rails extension of 140, 280 or 420 cm
Swan neck arm	Transversal bridge extension up to 380 cm
Inversed swam neck arm	X-Ray housing plastic cover
180 cm vertical travel	Longit. and trasversal braking by permanent magnets
Motor-controlled vertical displacement	
Enslaved vertical movement to the vertical movement of a receptor (bucky, flat panel, CCD etc.)	
Enslaved vertical movement to the dimension and position of the selected exposure field on the digital receptor	
Manual or automatic collimation system	





**BMI**

ESSE 3 Via Garibaldi 30  
 14022 Castelnuovo D.B. (AT)  
 tel +39 011 99 27 706  
 fax +39 011 99 27 506  
 e-mail [esse3@chierinet.it](mailto:esse3@chierinet.it)  
 web : [www.4ci.com](http://www.4ci.com)

