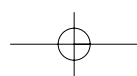


BHT-R Horizontal Radiographic Table



BMI

BHT-R Horizontal Radiographic Table

Horizontal table of modern design, with 4-way floating table top, for general radiography.

Ideal radiographic system for any Hospital, Private Clinic and Private Radiographic Practice.



MAIN FEATURES

- High definition images, due to the reduced 7.0 cm. plane-film distance.
- Easy-to-use controls and quick of operation with high patient throughput.
- Extended field of applications with examinations a-p, l-l and on Wall Bucky Stand.
- Table and Tubestand available also separately, to suit particular operative requirements.



The horizontal table **BHT-R** can be completed with a floor-mounted tubestand, for high quality, cost-effective radiographic imaging, ON table and OFF table.

Electromagnetic brakes on all movements, controlled by a photo-cell control at the table base.

Potter Bucky with vibrating grid, mobile longitudinally below the table top.

The **Tubestand** is mobile longitudinally on floor-mounted rails. Available with fixed column or with rotational column for lateral examinations (optional).

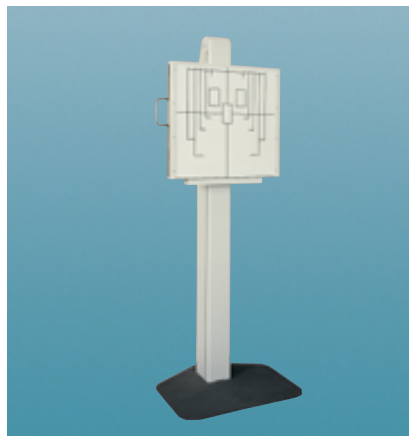
Effortless movements with extended travels, for a complete diagnostic coverage of the patient on Bucky Tables and on Wall Bucky Stands.

BHT-R and **BVS-S**, a proven cost-effective Radiographic System with a very simple quick installation and ready to operate in any radiological department, for real time and costs savings.



The vertical Bucky Stand **BVS-S** is a compact unit, floor mounted or wall mounted, meeting the demand of a wide range of users requiring upright radiography.

The Potter Bucky with mobile grid is fully counterbalanced and effortless adjustable vertically to any desired height. All movements are controlled by mechanical brakes. Extended vertical travel of the Potter Bucky, with a possibility of a minimum distance from the floor for knee and weight-bearing ankle examinations.



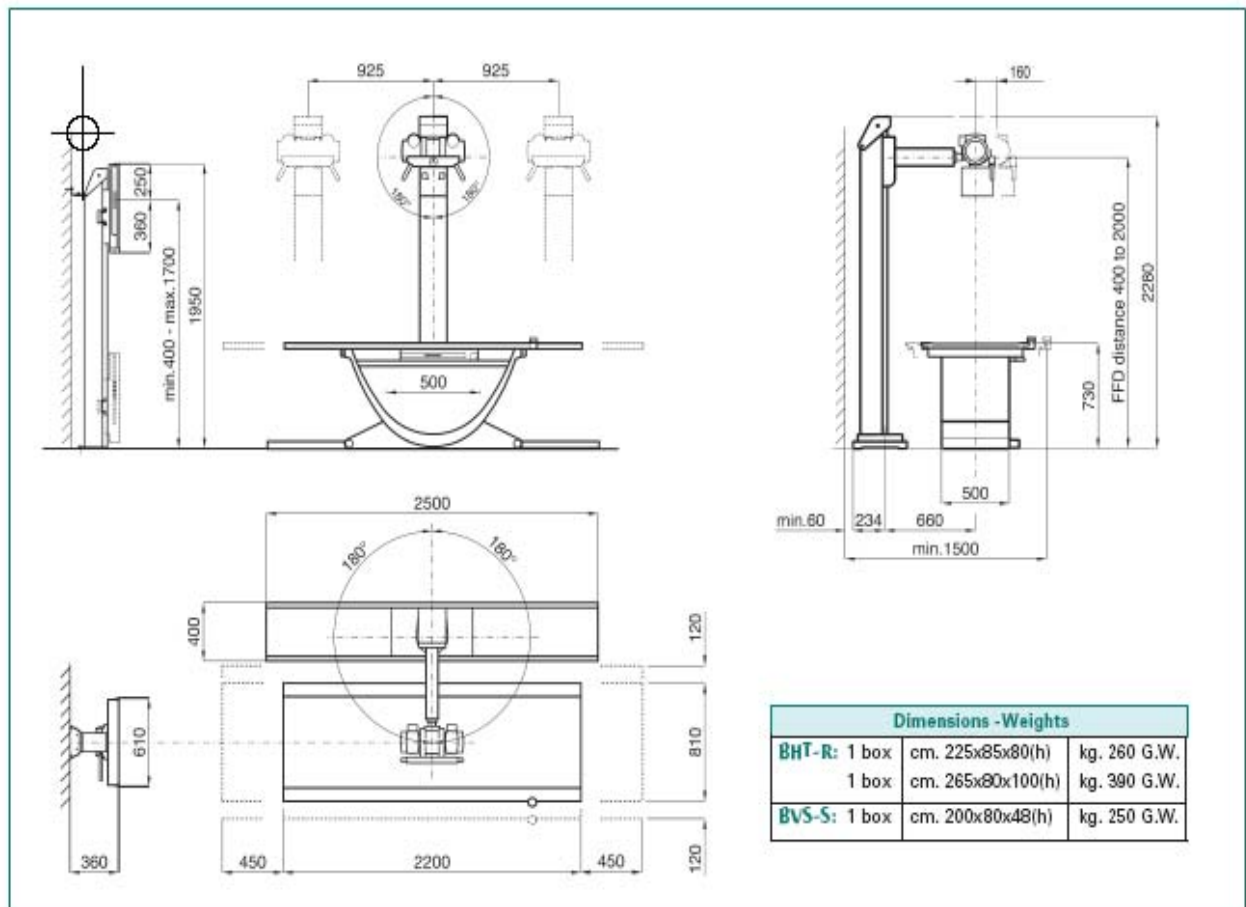
Basic X-ray System with Tube Stand, vertical Bucky Stand and mobile stretcher.

The stretcher is optionally available with Potter Bucky and vibrating grid, mobile longitudinally below the fixed table top.



BHT-R Horizontal Radiographic Table

BHT-R technical data		BVS-S technical data
<p>Horizontal Table</p> <ul style="list-style-type: none"> • Dimensions: 220x81 cm. • Longitudinal travel: 90 cm. • Transversal travel: 24 cm. • Table top-floor distance: 73 cm. • Electromagnetic brakes on all movements controlled by a photo-cell control at the table base <p>Potter Bucky</p> <ul style="list-style-type: none"> • For all standard radiographic cassettes, size from 13x18 to 35x43 cm. • Longitudinal travel: 50 cm. • Table top-film distance: 7.0 cm. • Mobile grid R= 10:1, 103 lines/”, F= 120 cm. • Preset to receive a ionisation chamber 	<p>Stand</p> <ul style="list-style-type: none"> • Height: 228 cm. • Rails length: 250 cm. • Longitudinal travel: 185 cm. • Focus distance: from 40 to 200 cm. • Telescopic X-Ray tube supporting arm, with 16 cm. extension (optional) • X-Ray tube rotation: +/- 180° • Stand rotation: +/- 180° • Electromagnetic brakes on all movements, with dedicated control handle • Manual multi-leaves light beam collimator <p>Power supply</p> <ul style="list-style-type: none"> • Single-phase 230 V, 50/60 Hz 	<p>Stand</p> <ul style="list-style-type: none"> • Counterbalanced vertical displacement of Potter Bucky, with quick blocking into position by mechanical brakes. <p>Potter Bucky</p> <ul style="list-style-type: none"> • Potter Bucky for all cassettes, size from 13x18 to 35x43 cm., with loading from both sides. • Mobile grid R= 10:1, 103 lines/”, F= 150 cm. • Vertical displacement 130 cm. <p>Optionals</p> <ul style="list-style-type: none"> • External cassette holder for cassette sizes up to 30x90 cm. • Ion chamber, for automatic exposure control • Neck support device



BHT-R - Doc E - 01/2004

Data subject to alteration without prior notice.



BMI

ESSE 3 Via Garibaldi 30
14022 Castelnuovo D.B. (AT)
tel +39 011 99 27 706
fax +39 011 99 27 506
e-mail esse3@chierinet.it
web : www.4ci.com

