



### X-RAY GENERATOR

- High frequency monobloc generator
- Max power: 15 kW
- Max voltage: 125 kV
- Max mAs: 200 mAs
- Max current: 250 mA
- Monobloc thermal capacity: 600 kJ (811 KHU)
- Max continuous monobloc thermal dissipation: 75 W
- Frequency: 40 kHz
- KV ripple: <2%

### X-RAY TUBE

- Double focus
- Focal spot size: 0.6  $\times$  1.3 mm
- Rotating anode @ 2700 rpm
- Anode material: RTM
- Anode angle: 13,5°
- Anode thermal capacity: 80 kJ (107 KHU)
- Max continuous anode thermal dissipation: 250 W
- Max Voltage: 130 KV

### CONTROL CONSOLE

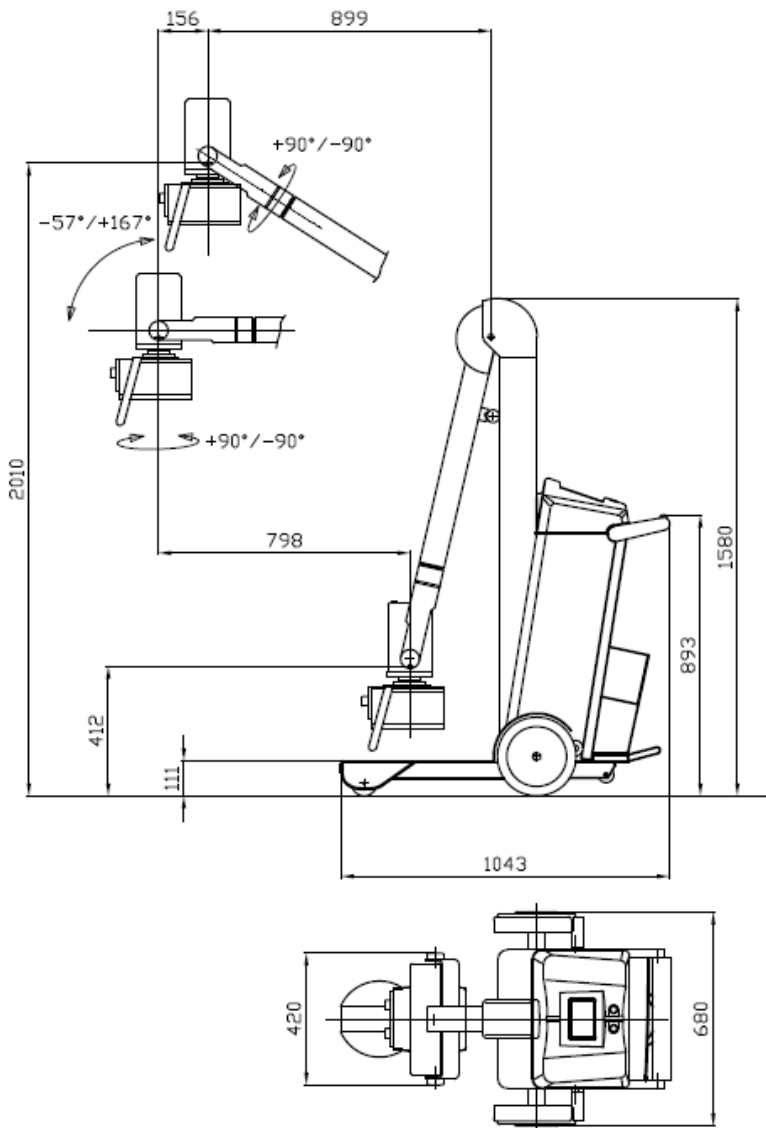
- Microprocessor controlled console with 5.7" touch screen display

### OPERATIONAL MODES

- 3 - point operation (kVp – mA – time)
  - kVp selection: from 40 to 125, 1 KV steps
  - mA selection: from 50 to 250, 8 steps
  - Time selection: from 0.002 to 5 sec, 32 steps
- 2 - point operation (kVp – mAs)
  - kVp selection: from 40 to 125, 1 KV steps
  - mAs selection: from 0.2 to 200, 25 steps
- Anatomical programming with 170 stored techniques
- 5 patient thickness compensation levels
- 3 speed reinforcement screens
- Automatic calculation tube KHU
- Ability to connect a Potter-Bucky and a measuring chamber for Dose Area Product
- RS232 outlet for software updating
- AEC Interface (optional)

### EXPOSURE CONTROLS

- Buttons on the console and two stages X-Ray push button with extending cable (up to 4 m)



### SAFETY AND PROTECTIONS

- Automatic control and protection of the filament current
- Protection against over current and over voltage
- X-Ray tube overload protection
- Error description

### COLLIMATOR

- Manually operated collimator with field
- Adjustment from 0x0cm to 43x43 cm at 1m focal distance (FFD)
- High intensity light for simulation of the X-ray field with push button switch on and automatic switch off after 30 sec
- Retractable tape measure for ensuring the correct FFD
- $\pm 90^\circ$  collimator rotation

### MOBILE STAND

- Antistatic rubber wheels
- Dead-man operated parking brake
- Variable focus-floor distance from 40 to 201 cm
- Monobloc support yoke rotation:  $+180^\circ / -170^\circ$
- Monobloc rotation in the yoke:  $0^\circ / +90^\circ$
- Cassette bin for storage up to nr. 6 35x43 cm cassettes
- Maximum dimension when in transport position 104x68x158(H) cm
- Weight: 150 kg

### MAINS POWER REQUIREMENTS

- Standard: single phase 230 V  $\pm 10\%$
- Frequency: 50/60 Hz
- Current consumption: 16 A max
- Optional: single phase 115 V
- Line resistance 0.40 Ohm

**Technical data subject to alteration  
without prior notice**



ESSE 3 Via Garibaldi 30  
14022 Castelnuovo D.B. (AT)  
tel +39 011 99 27 706  
fax +39 011 99 27 506  
e-mail [esse3@tuttopmi.it](mailto:esse3@tuttopmi.it)  
web : [www.4ci.com](http://www.4ci.com)

