



Top 28

X-Ray generator

- high frequency X-Ray generator
- max power 30kW
- max voltage 125kV
- frequency 16kHz
- kV ripple <2%

Control desk

microprocessor controlled control desk composed of a modular section console and a rack

• operation modes

- three-point operations (kV, mA, s) and mAs reading
- selections of 24 programmed and programmable automatic techniques
- four thickness compensation levels
- two-speed reinforcement screens
- two external Potter Buckies
- two automatic exposure chambers with blackening selections
- Bucky stand selections

• kV selections

- continuous selections from 38 to 125 kV

• mA selections

- in radiography 9 steps selections: 50-63-80-100-125-160-200-250-315 mA
- in tomography 8 steps selections: 10-12-16-20-25-32-40-50 mA

• exposure time

- 30 values from 0.008 to 6.3 s

• mAs selections

- 28 values from 0.2 to 315 mAs

• radiography controls

- X-Ray 'prep' and 'expose' push buttons on the control console
- two stage X-Ray push button with extending cable (up to 4 m)

• safety and protection

- automatic control and protection of the filament current
- protections against over current and over voltage
- X-Ray tube overload protection
- error code and fault diagnosis indication on LCD

• main power requirements

230V +/-10% , 50/60Hz

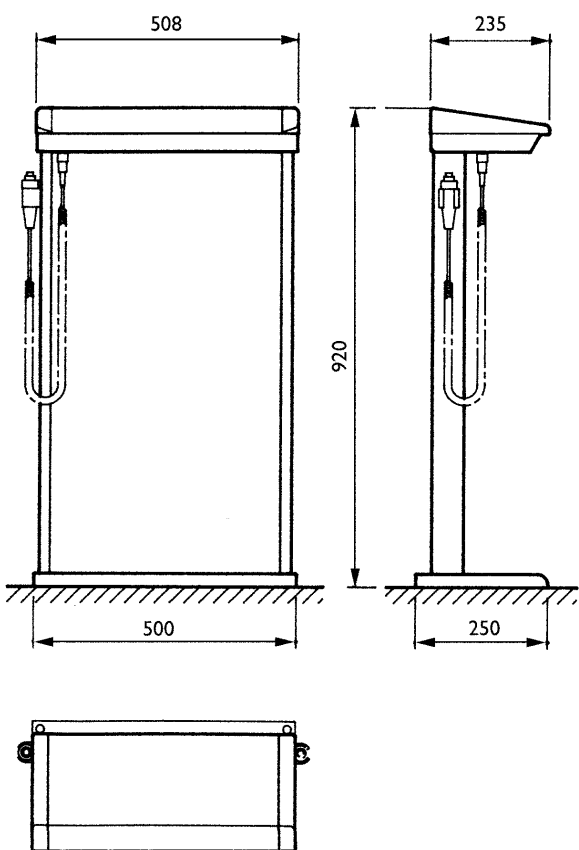
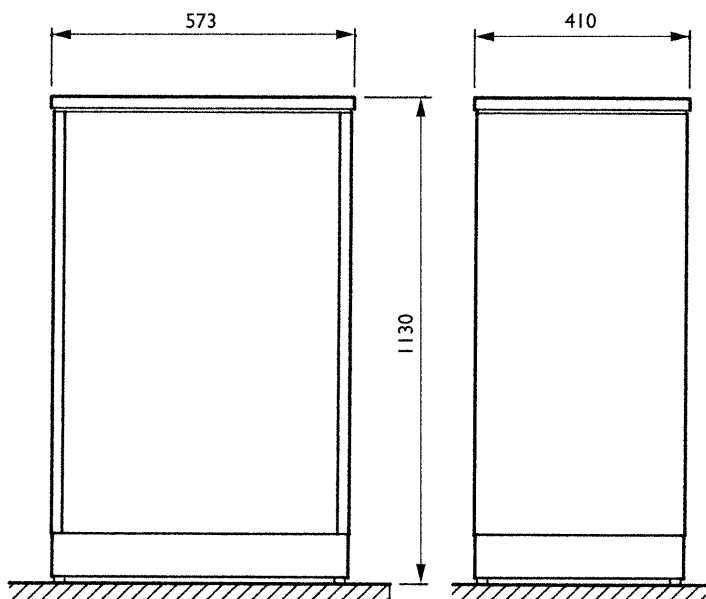
• max current 16A

• weight

- rack 150 kg
- console 20 kg

kV/mA/mAs rating

	kV/mA 10=50	51=100	101=160	161=200	201=250	251=320
125kV	70mAs	65mAs	60mAs	50mAs	50mAs	
120kV	80mAs	72mAs	65mAs	60mAs	55mAs	
110kV	90mAs	80mAs	70mAs	70mAs	65mAs	55mAs
100kV	100mAs	90mAs	80mAs	80mAs	80mAs	75mAs
90kV	110mAs	100mAs	90mAs	90mAs	90mAs	90mAs
80kV	130mAs	120mAs	110mAs	110mAs	100mAs	100mAs
70kV	150mAs	140mAs	125mAs	125mAs	110mAs	110mAs
60kV	180mAs	160mAs	135mAs	135mAs	130mAs	125mAs
50kV	200mAs	180mAs	150mAs	150mAs	150mAs	140mAs
38kV	315mAs	200mAs	170mAs	170mAs	170mAs	160mAs



BMI

ESSE 3 Via Garibaldi 30
 14022 Castelnovo D.B. (AT)
 tel +39 011 99 27 706
 fax +39 011 99 27 506
 e-mail esse3@chierinet.it
 web : www.4ci.com



93 42 EEC directive II b class **CE**

Data subjected to alteration without prior notice. Top 28 series - 01/2005

SC028G / Rev.A